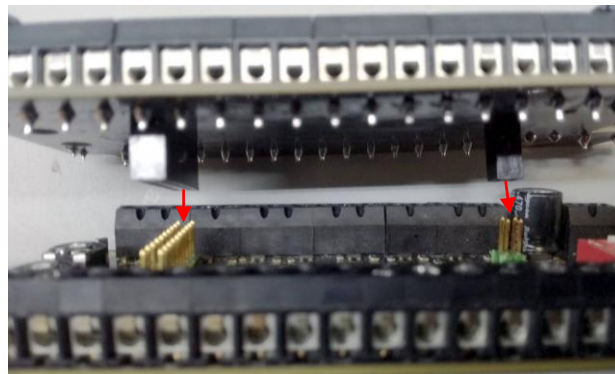
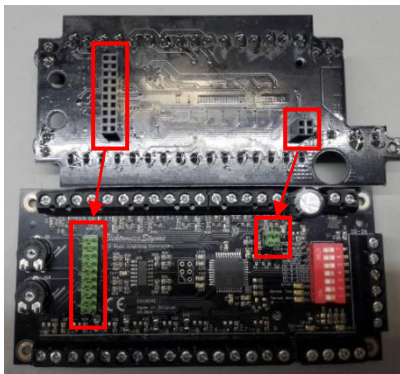
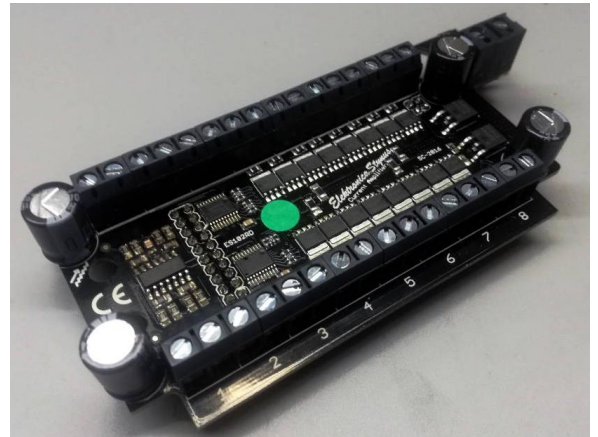


LED Stair Lighting Current Amplifier Shield - English

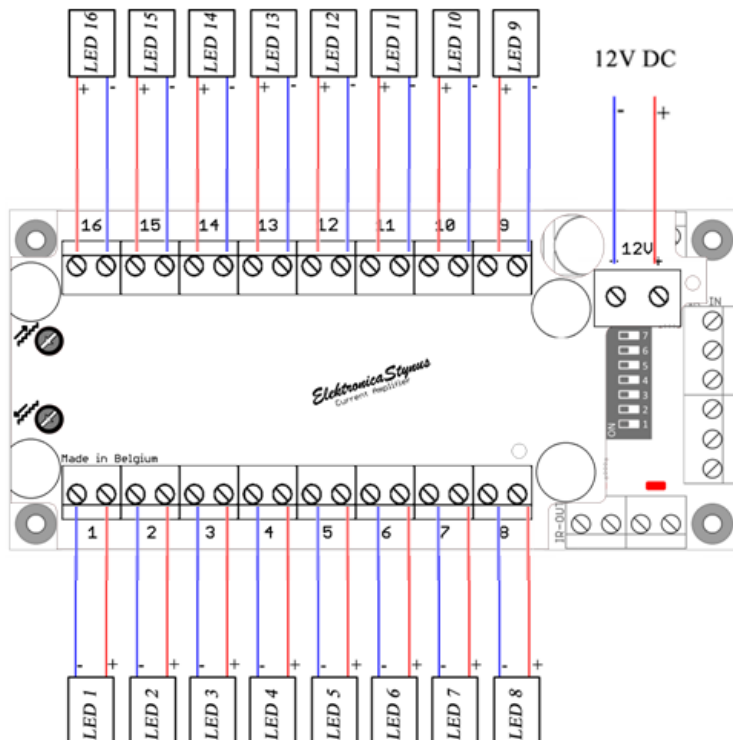
This module gives the LED stair lighting controller TRL-E1 the ability to handle more current. The module fits on the connectors of the controller and covers the terminals that are not needed anymore on the controller. The 12V supply of the controller runs through this module.

Installation:

Remove all wiring from the controller if the controller is already connected. Slide the connectors of the current amplifier module and the controller together. Make sure they are aligned correctly.



The LED outputs and 12V power supply can now be connected to the current amplifier module.



This product only contains the current amplifier shield. The controller is to be bought separately.

Electrical specifications:

- Input voltage: 12V \pm 10%
- Outputs each max. 1A 12V (12W)

The current amplifier shield heats up when the LEDs are on. Therefore the module must have enough room to be able to dissipate the heat.

This module is only for indoor use in a dry environment.
Wiring of the module should only be performed by qualified personnel.